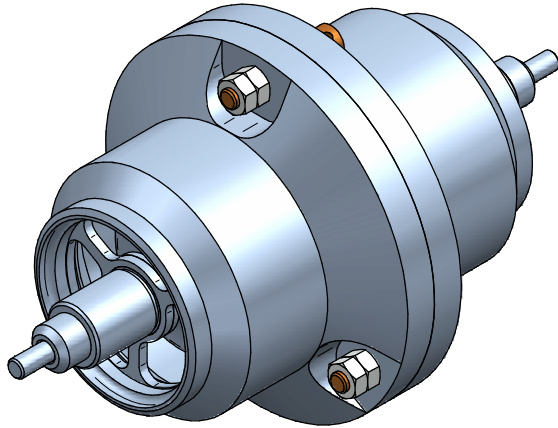


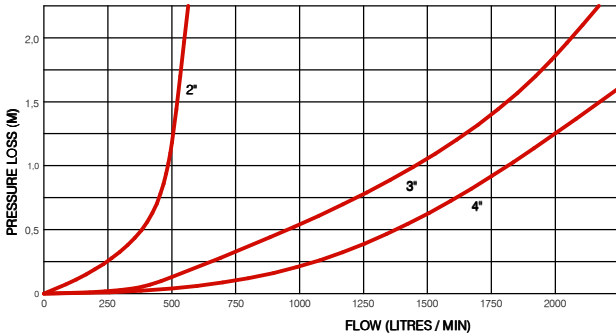
break away coupler

type BAC-CV

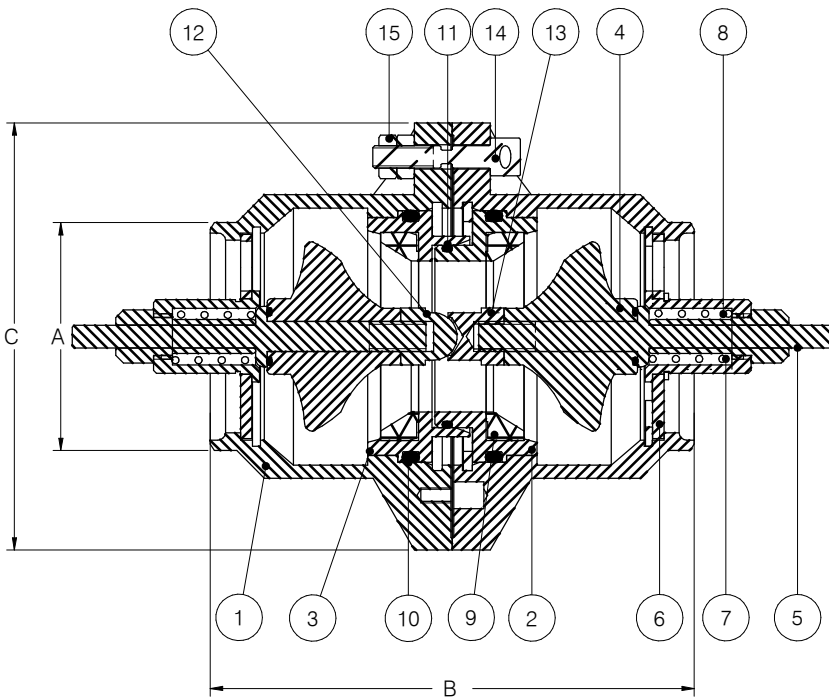


ITEM	SPECIFICATION
dimensions	DN50 (2"), DN80 (3"), DN100 (4")
body housing	carbon steel, stainless steel, other materials on request
internals	stainless steel
seals	PTFE, Viton, Buna
end connection	flange ANSI/DIN, welded end

PROCESS DATA	VALUES
pressure	up to 25 bar
temperature	-20°C / +50°C



SIZE		DIMENSIONS				WEIGHT		
A		B	B f1	B f2	C	norm	f1	f2
inch	mm	mm	mm	mm	mm	kg	kg	kg
2"	60,33	128	255	220	113	4	9,4	9,1
3"	88,9	192	335	295	139	7	17,4	14,4
4"	114,3	197	350	305	170	10,6	25,6	20
note	B f1: including WNF ANSI B16.5 RF 150LBS							
	B f2: including flange RF EN1092-1 PN16							



No.	NAME	QTY.	MATERIAL
1	body	2	ss
2	insert male	1	ss
3	insert female	1	ss
4	check valve	2	ss
5	pivot	2	ss
6	back plate	2	ss
7	spring box	2	ss
8	spring	2	ss
9	primary seal	2	PTFE
10	body seal	2	FEP/Viton
11	insert seal	1	FEP/Viton
12	nut male	1	ss
13	nut female	1	ss
14	break stud	3	aluminium brass
15	nut/low nut	6	ss

subject to technical modifications