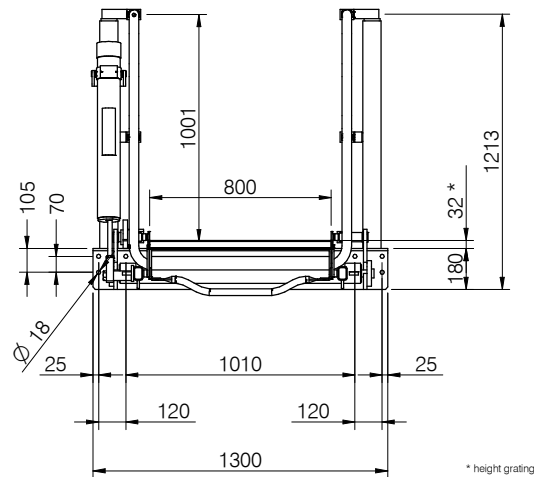


STANDARD RANGE	OPTIONS
7.21.08 - 2 steps	chain-locking device
7.21.12 - 3 steps	pneumatically operation
7.21.16 - 4 steps	parking position detection
7.21.20 - 5 steps	step width up to 3.500 mm
7.21.24 - 6 steps	add. safety railing equipment
pull-up cord	fully stainless steel execution
steps galvanised	safety cage std. dimensions;
construction coated/galvanised	1400x1400/2800x1400

No.	NAME
1	spring cylinder for balancing
2	anti jam provisions
3	nylon bearings
4	knee list
5	firm grip
6	kick rim
7	safety cage (option)
8	rubber contact bar
9	non-skid steps
10	reinforced mainframe for improved stability
11	bearings
12	foot lock
13	solid support frame (coated or galvanised)



MODEL	STEPS	DIMENSIONS							LIVE LOAD		MAX. LOAD ON FRONT EDGE OF PLATFORM	
		A	B	C	D	E	F	G	kg	kN	kN	kNm
		mm	mm	mm	mm	mm	mm	mm				
7.21.08	2	850	700	250	500	1420	335	160	160	1,57	3,77	1,40
7.21.12	3	1250	1000	550	800	1820	335	560	200	1,96	5,39	2,65
7.21.16	4	1650	1300	850	1100	2200	335	960	220	2,16	6,77	4,51
7.21.20	5	2050	1600	1150	1400	2620	335	1360	260	2,55	8,24	6,86
7.21.24	6	2450	1900	1450	1700	3025	335	1750	320	3,14	12,00	15,00

subject to technical modifications