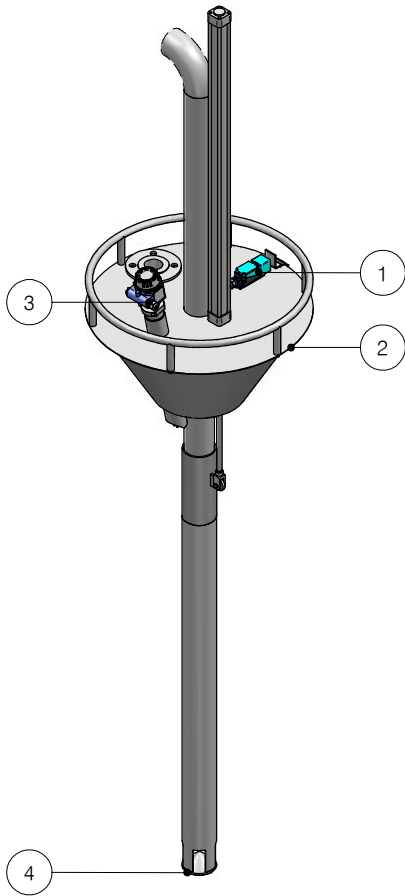


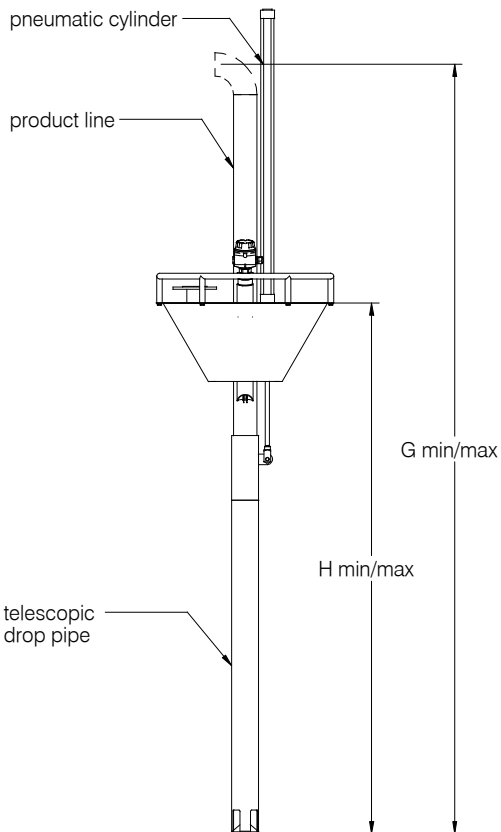
Telescopic drop pipe Model TV-D



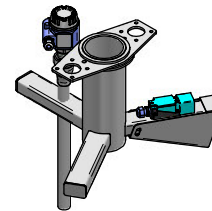
ITEM	SPECIFICATION
dimensions	DN50 (2"), DN80 (3"), DN100 (4")
material	stainless steel, steel
connection	to loading arm / telescopic pipe
guide shaft	PTFE
operation	pneumatic

PROCESS DATA	VALUES
pressure	up to 5 bar
temperature	-20°C / +80°C

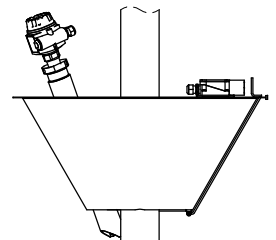
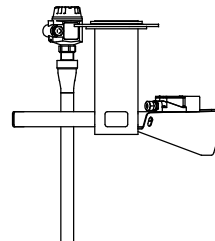
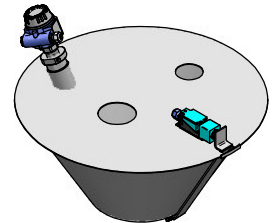
No.	OPTIONS
1	manhole detection
2	vapour cone / man hole cross
3	high level detection
4	deflector



man hole cross



vapour cone



subject to technical modifications

NUMBER
DS.TV.05.E

REV.
0

PAGE
1 / 1

DATE
18/05/05

WLT Liquid & Gas Loading Technology B.V.
PO Box 24, 2820 AA Stolwijk, the Netherlands
tel : +31(0)182-354440 e-mail: mail@wlt.nl
fax: +31(0)182-354480 website: www.wlt.nl