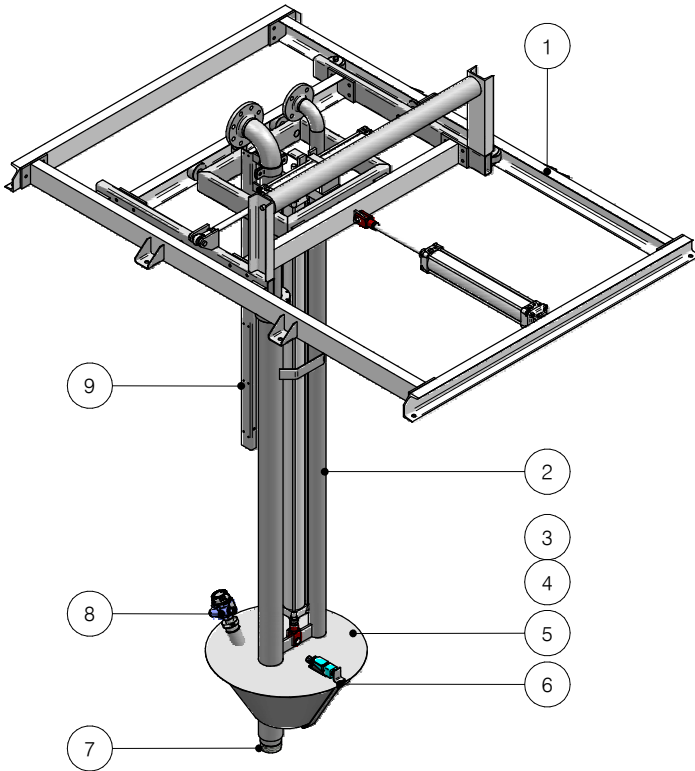


telescopic pipe

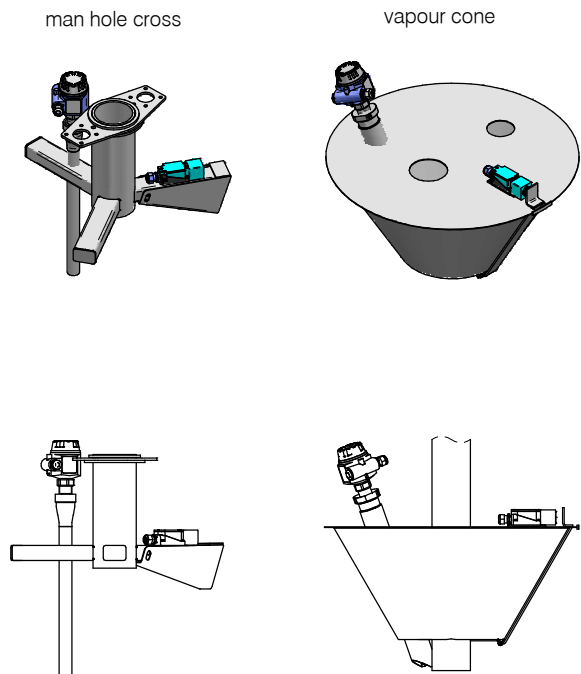
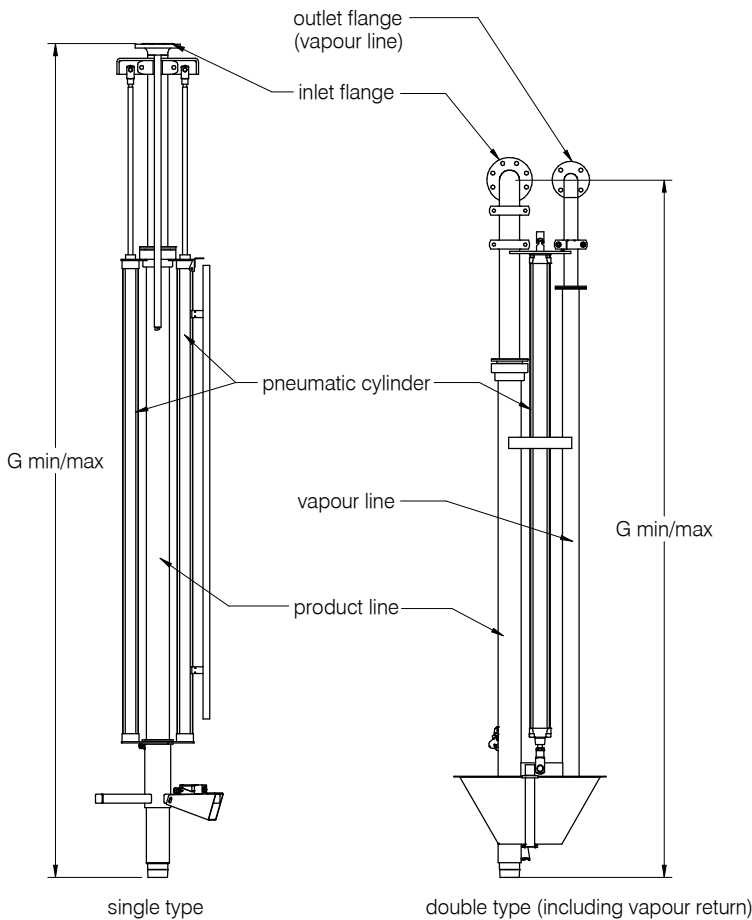
type TV



ITEM	SPECIFICATION
dimensions	DN50 (2"), DN80 (3"), DN100 (4")
material	stainless steel, steel
connection	flanged ANSI/DIN
seals	PTFE
operation	pneumatic

PROCESS DATA	VALUES
pressure	up to 5 bar
temperature	-20°C / +80°C

No.	OPTIONS
1	pneumatically drive unit (bi-directional)
2	telescopic vapour return pipe
3	drain connection
4	purge connection
5	vapour cone / man hole cross
6	manhole detection
7	deflector
8	high level detection
9	earthing cable through conductor



subject to technical modifications