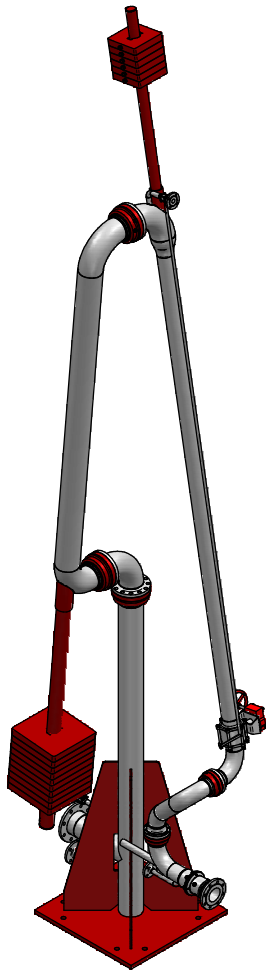


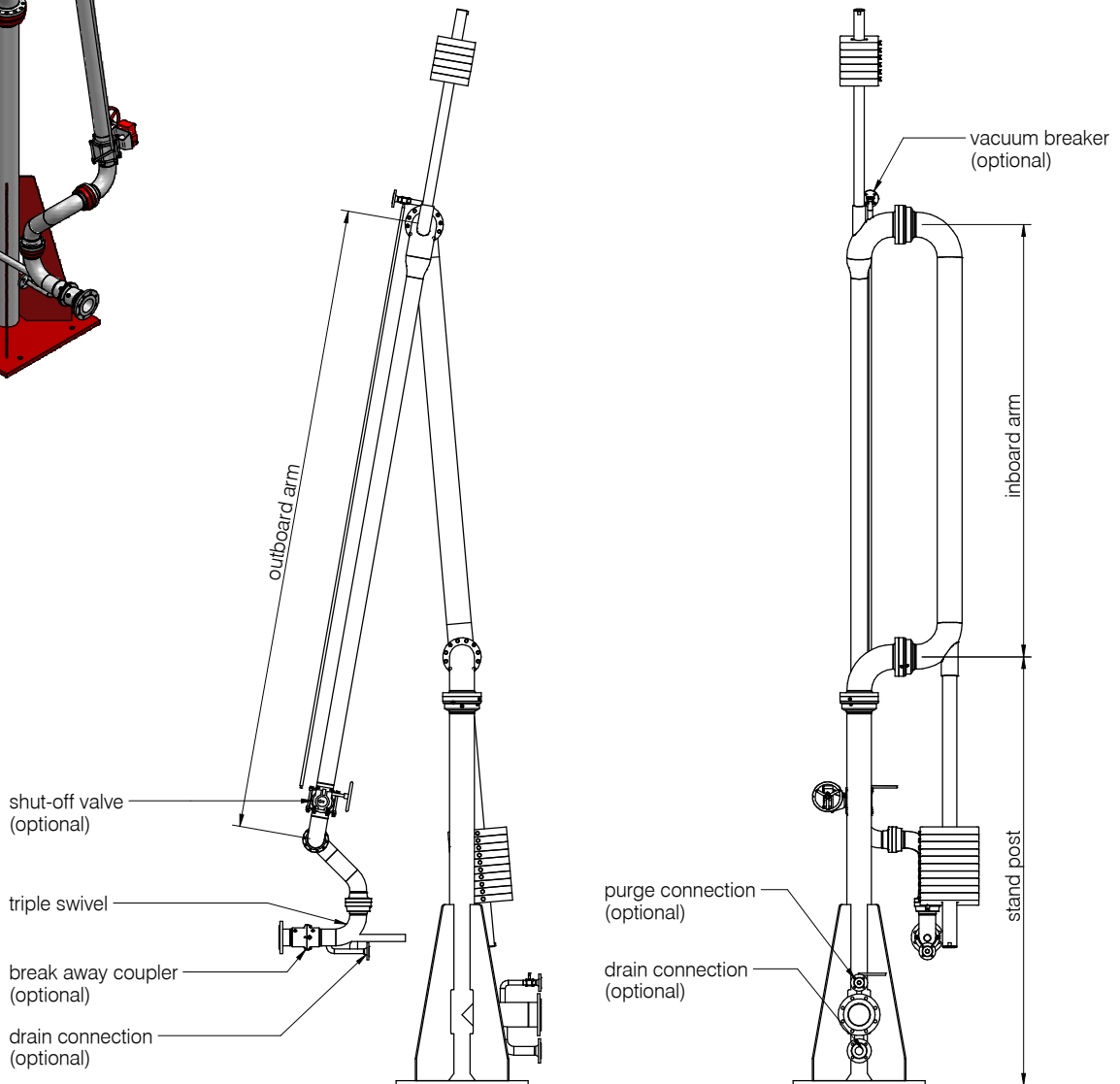
marine loading arm

type 1000



ITEM	SPECIFICATION
dimensions	DN80 (3"), DN100 (4"), DN150 (6")
material	stainless steel, steel, PTFE lined
connection	flanged ANSI/DIN
swivel joint	30-2000 (standard), 30-3620 (PTFE lined)
seals	PTFE, Viton, EPDM
balancing	counter weight
operation	manually operated

PROCESS DATA	VALUES
pressure	up to 50 bar
temperature	-50°C / +200°C



subject to technical modifications