

API loading

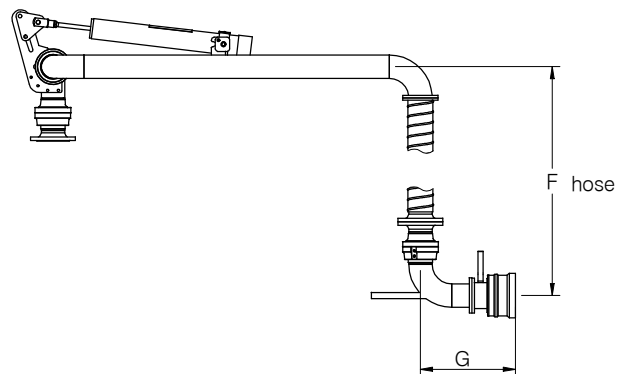
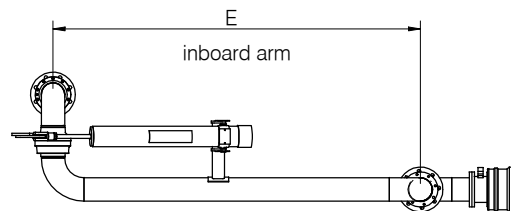
ITEM	SPECIFICATION
dimensions	DN100 (4")
material	steel/aluminium
end connection	API coupler 4"
seals	Viton

chemical loading

ITEM	SPECIFICATION
dimensions	DN50 (2"), DN80 (3"), DN100 (4"), DN150 (6")
material	stainless steel, steel, aluminium
end connection	coupler
seals	PTFE, Viton, EPDM

PROCESS DATA	VALUES
pressure	up to 16 bar
temperature	-20°C / +80°C

No.	NAME
1	inlet flange ANSI/DIN
2	swivel joint 30-2000
3	spring cylinder balancing
4	composite/stainless steel braided PFA hose
5	coupler
6	steering stick



subject to technical modifications