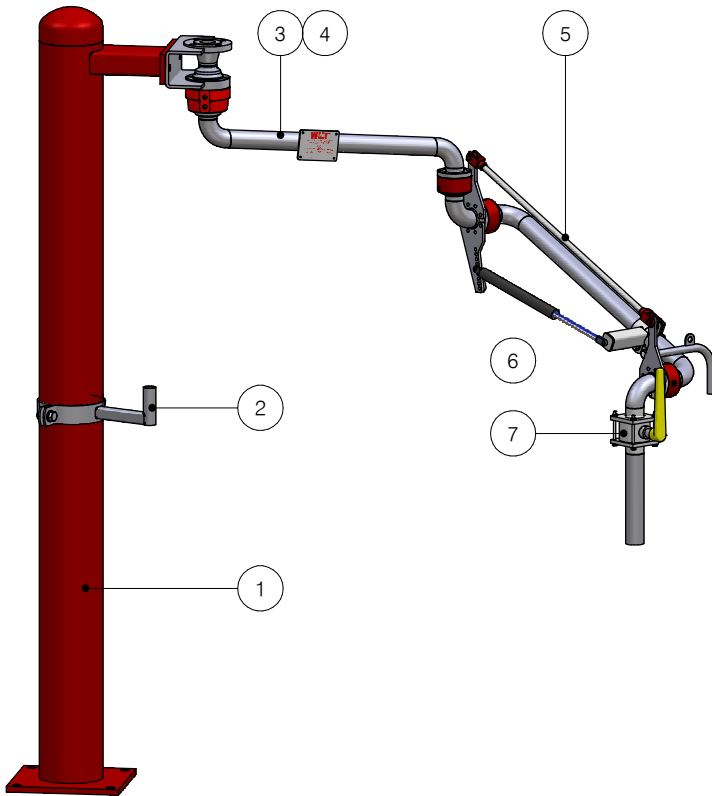


drum loading arm

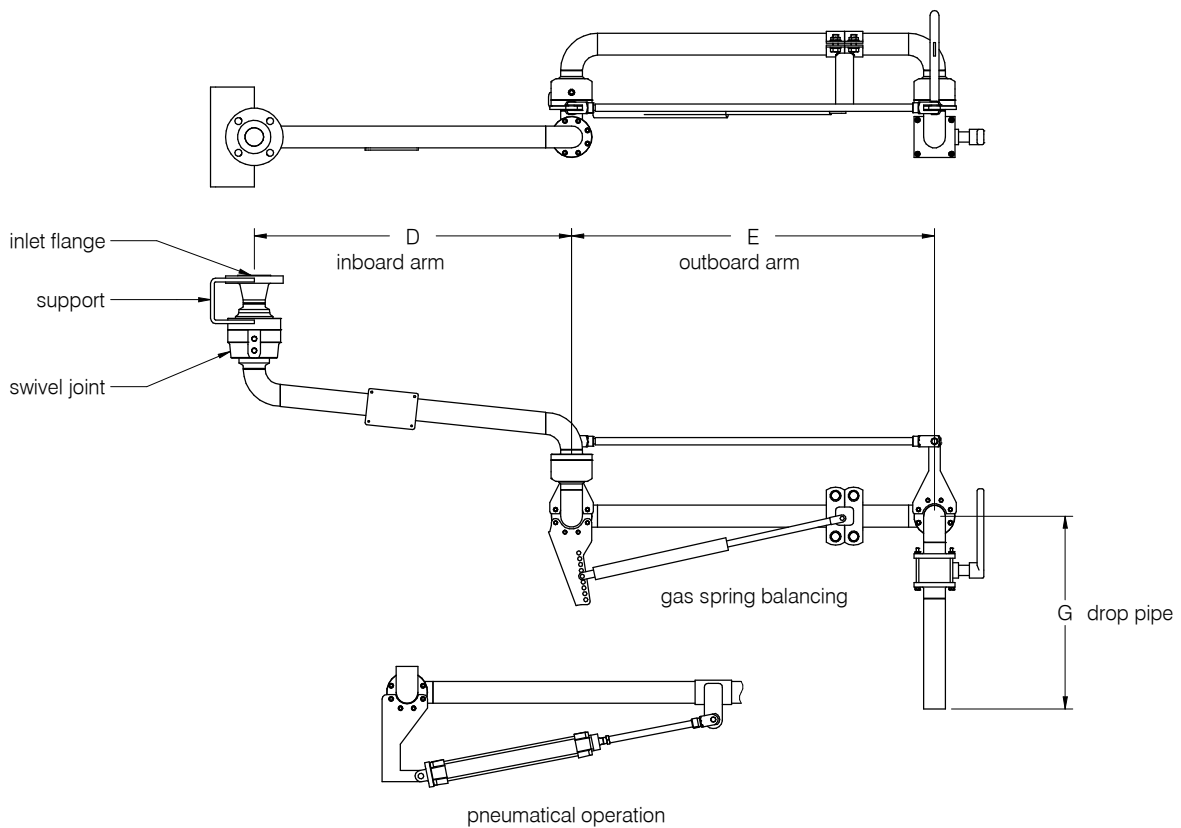
type TK



ITEM	SPECIFICATION
dimensions	DN25 (1"), DN32 (1¼"), DN40 (1½"), DN50 (2")
material	stainless steel, steel, PTFE lined
connection	flanged ANSI/DIN
swivel joint	30-2000 (standard), 30-3620 (PTFE lined)
seals	PTFE, Viton, EPDM
balancing	gas spring, spring cylinder, counterweight

PROCESS DATA	VALUES
pressure	up to 15 bar
temperature	-20°C / +200°C

No.	OPTIONS
1	stand post
2	locking device
3	steam tracing, steam jacketing, electrical tracing
4	insulation
5	parallel linkage
6	pneumatical operation
7	shut-off valve



subject to technical modifications