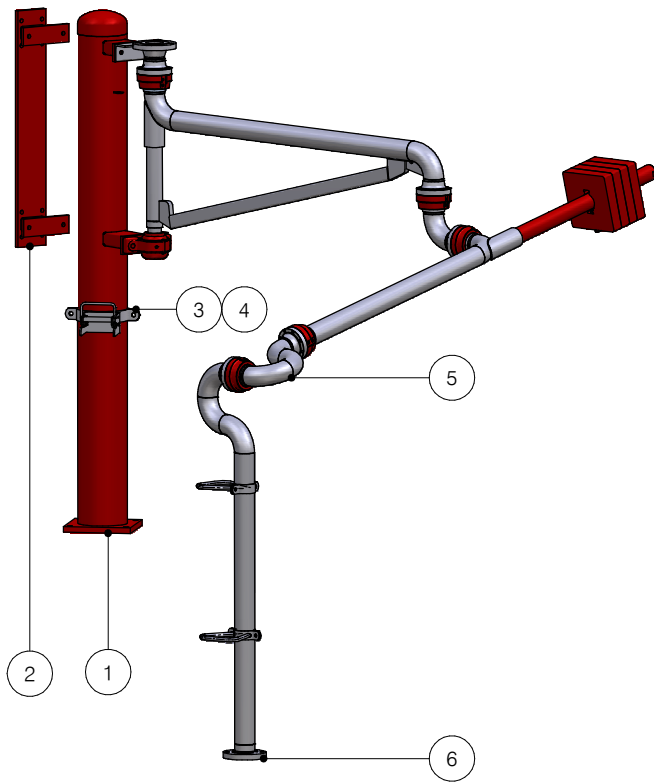


top loading arm

type TK closed system

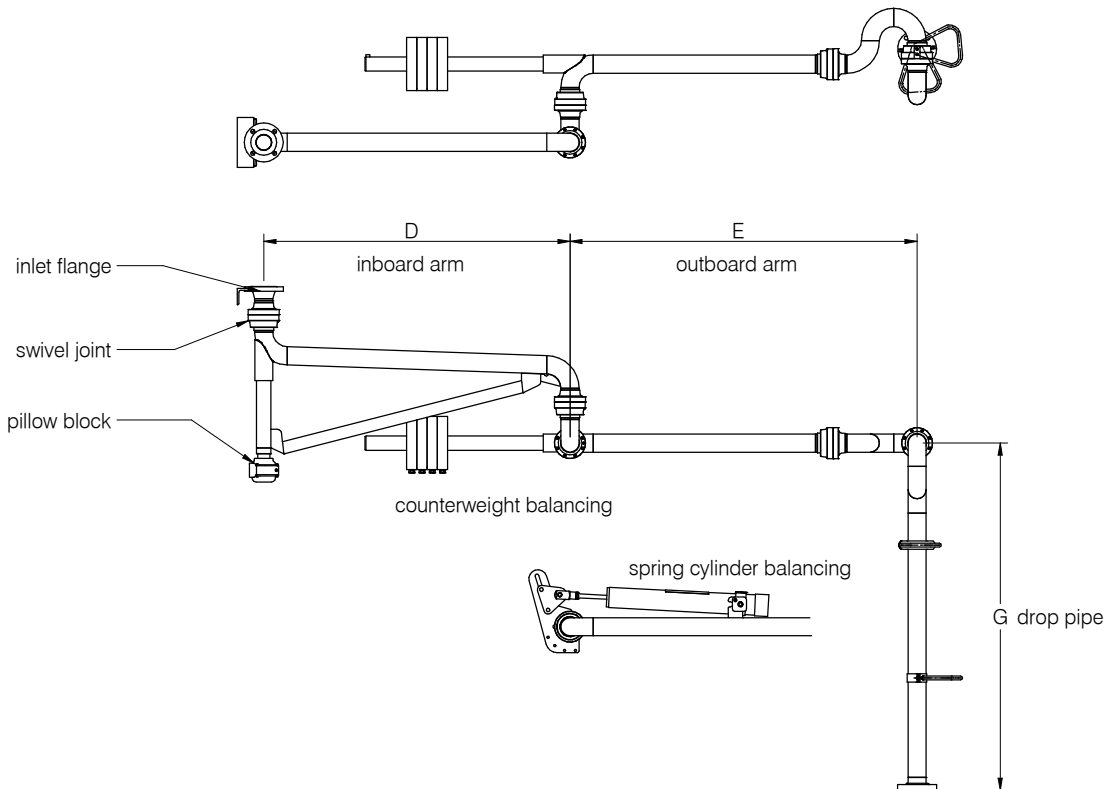


ITEM	SPECIFICATION
dimensions	DN50 (2"), DN80 (3"), DN100 (4"), DN150 (6")
material	stainless steel, steel, PTFE lined
connection	flanged ANSI/DIN
swivel joint	30-2000 (standard), 30-3620 (PTFE lined)
seals	PTFE, Viton, EPDM
balancing	spring cylinder, counterweight

PROCESS DATA	VALUES
pressure	up to 50 bar
temperature	-50°C / +200°C

No.	OPTIONS
1	stand post
2	wall bracket
3	locking device
4	parking detection
5	swan-neck construction
6	connection flange/coupler

for further options see DS.TK.01.E



subject to technical modifications